

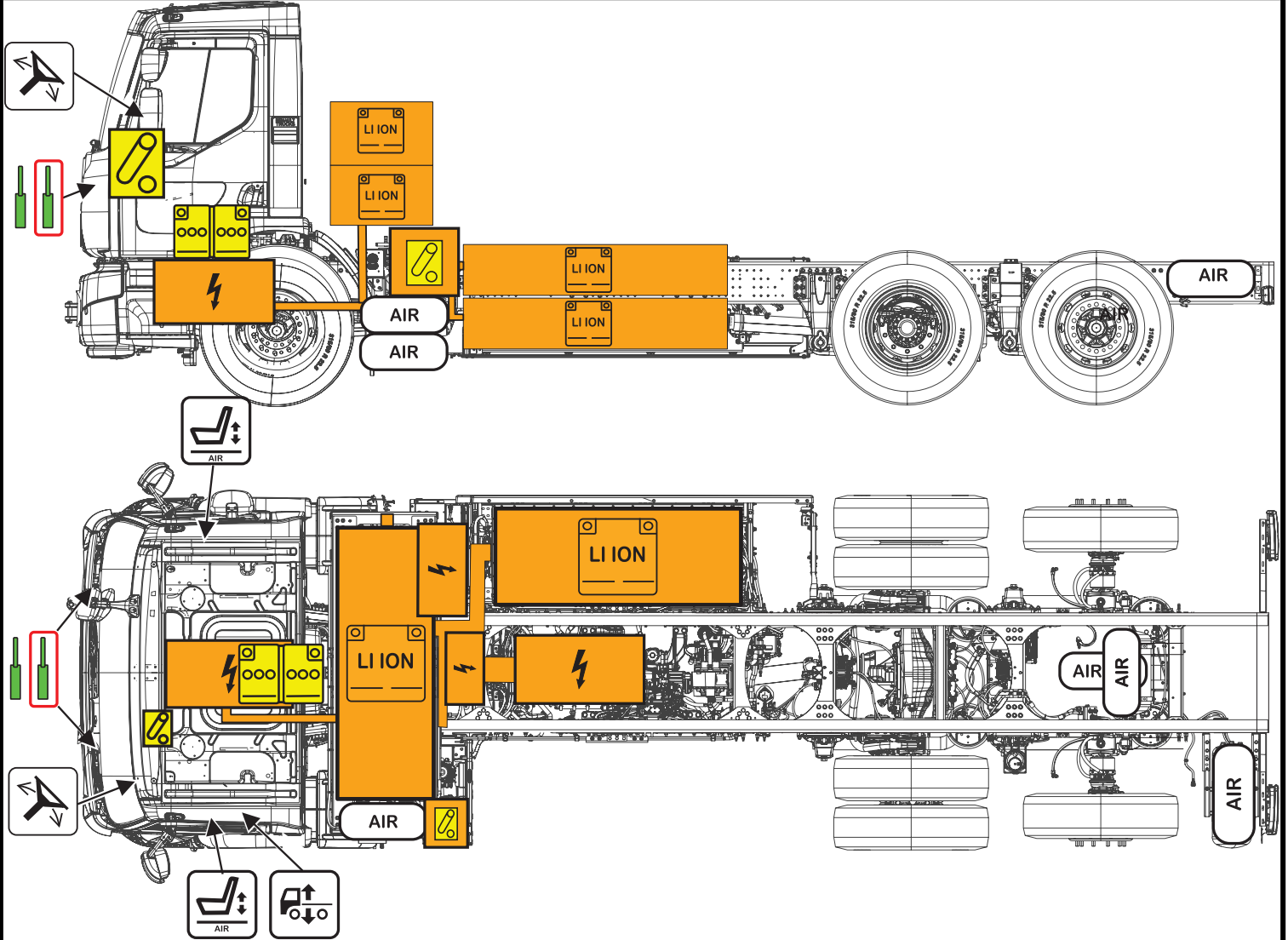


RENAULT TRUCKS

# RENAULT TRUCKS

## RENAULT TRUCKS E-TECH D WIDE

LEFT SIDE LOADER  
PRODUCTION START: 2023



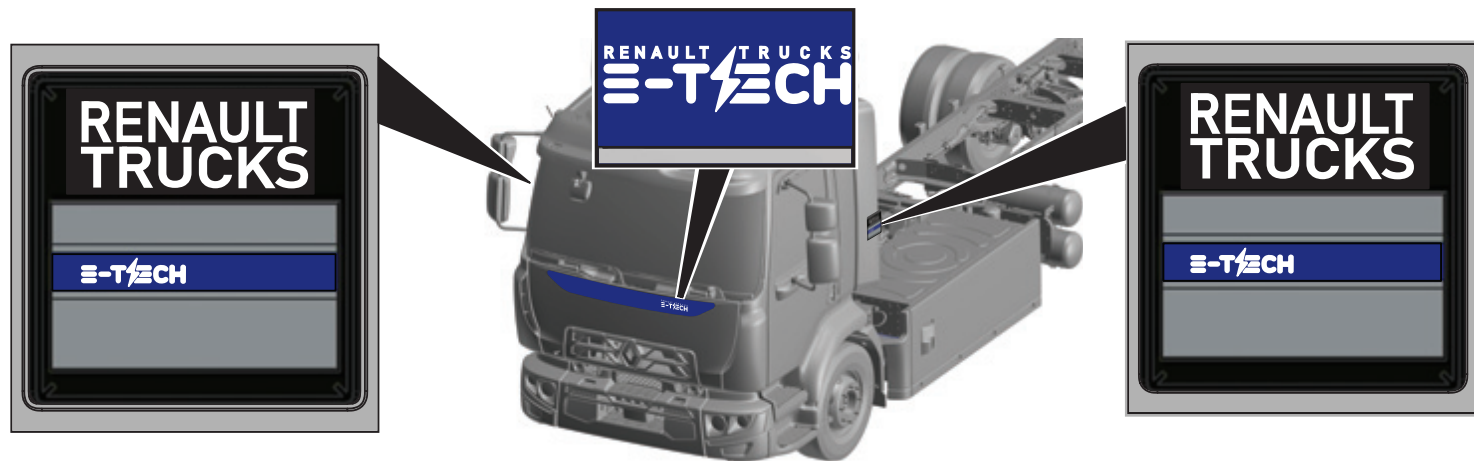
High-voltage lithium-ion battery	Low-voltage device that disconnects the high-voltage	Low-voltage battery	Air tank	Seat adjustment	Height control	Steering wheel tilt control
High-voltage component	High-voltage cable	Gas strut, pre-loaded spring	Starter switch			

**Note**

- (a) The above image shows information for one variant of this product. The number of axles, cab structure, and traction batteries can vary depending on the variant of the product.
- (b) These instructions do not cover the safety aspects of the components and equipment mounted by a third party (example: bodybuilders).
- (c) Discrepancy may exist in the translated documents as the original document is authored in English.

Identification number	Version number	Page number
800077265	05/2023	1

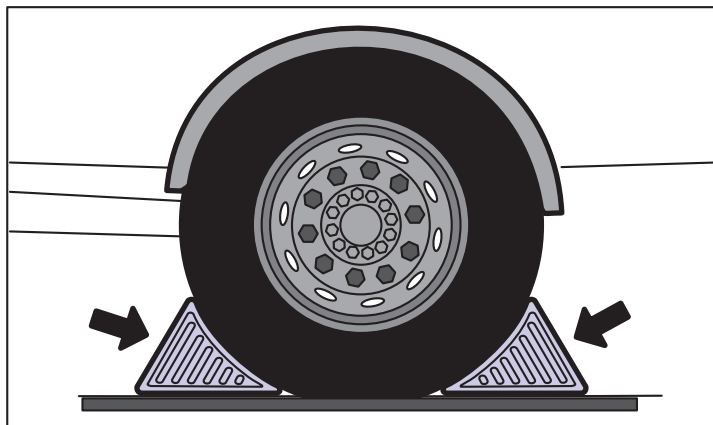
## 1. Identification / recognition



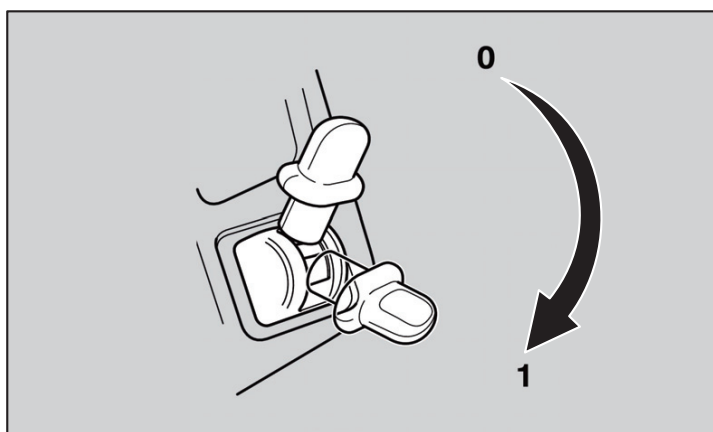
## 2. Immobilisation / stabilisation / lifting



Always approach the electric truck from the sides to stay out of the potential travel path. Due to the lack of noise, it may be difficult to determine whether the vehicle is active or not.

1. Chock the wheels.




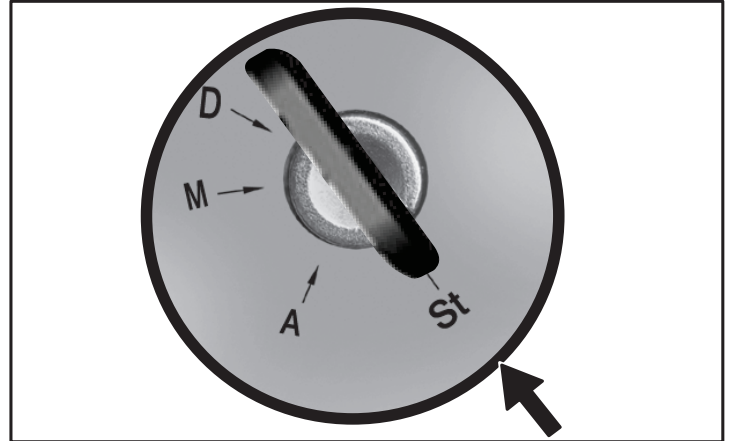
2. Apply the parking brake.




-  **1**  **2** Check the instrument cluster for any of the symbols (1) and (2) appearing with a beep sound. If yes, a thermal runaway is detected in the lithium-ion batteries. Exit the vehicle safely.

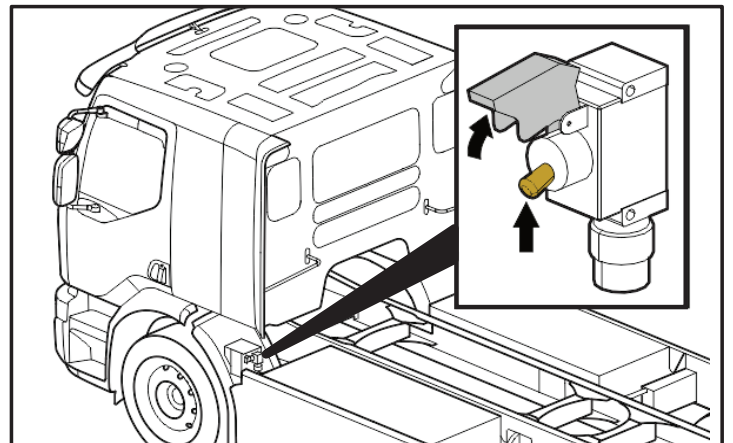
#### Primary procedure

-  1. If possible, turn off the starter switch and remove the key.



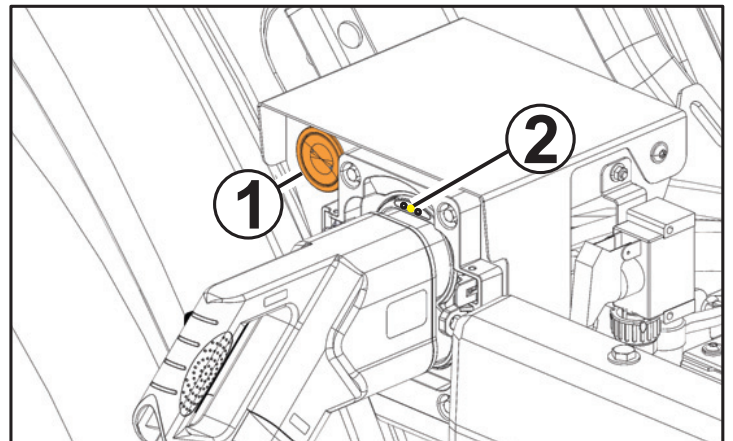
-  2. If possible, turn off the chassis switch (up) to initiate the high-voltage disconnection process.

**Note:** All the components are designed to discharge their own capacitance within five seconds.



#### If the truck is charging

1. Unlock the cab.
2. Press the stop button (1) and wait for the steady yellow light (2).
3. Pull the charging plug from the charging inlet, once the yellow light (2) turns off.

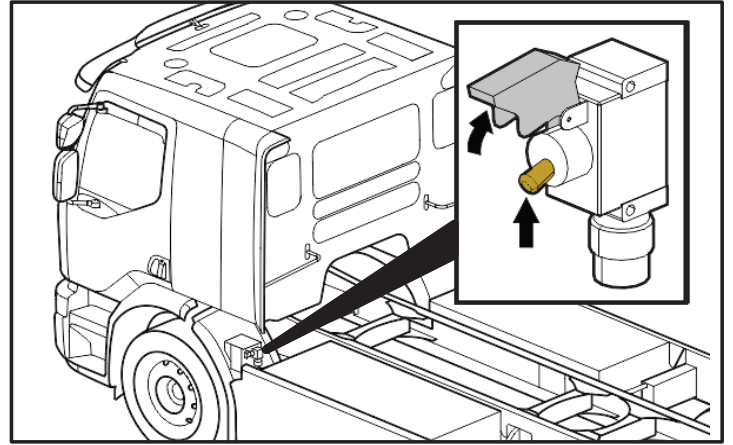


## If the charging plug cannot be pulled out: retract the pin manually

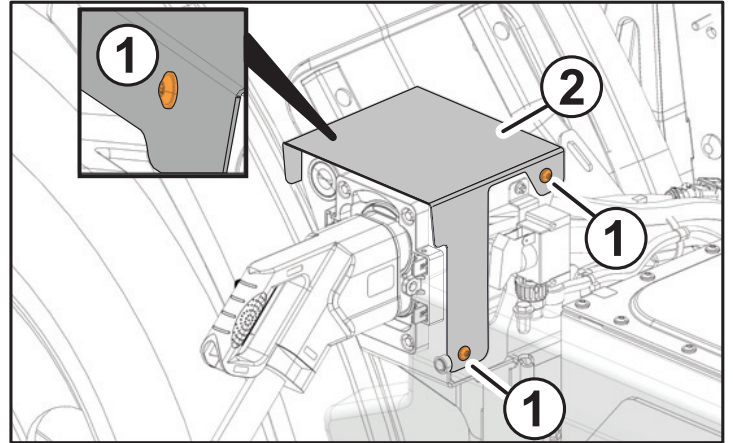


1. Turn off the chassis switch (up) to initiate the high-voltage disconnection process.

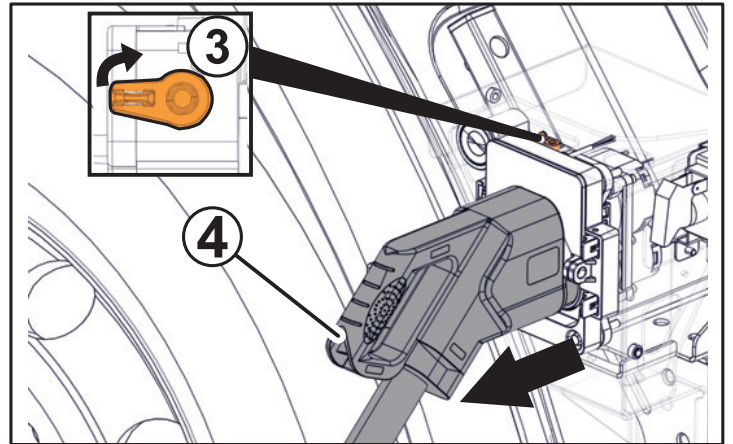
**Note:** All the components are designed to discharge their own capacitance within five seconds.



2. Remove the screws (1) and the cover (2).



3. Rotate the lever (3) and remove the charging plug (4).



## 5. Stored energy / liquids / gases / solids

### 600 V high voltage lithium-ion battery



It is not recommended to approach an electric vehicle during or immediately after a thermal event. Before approaching the electric truck, be aware that a delayed thermal event in lithium-ion batteries can occur.

## 6. In case of fire



Use large sustained volume of water for lithium-ion battery related fire.



### Note

Extinguishing a lithium-ion battery-related fire with water can produce hydrofluoric acid. Efforts should be made to control and collect run off water.



Class ABC fire extinguisher can be used if other materials are involved.



In case of thermal runaway, hydrogen fluoride can be released by the lithium-ion batteries.

## 7. In case of submersion



The damage level of a submerged vehicle may not be visible.

Submersion in water can damage 24 V and 600 V components. Handling a submerged vehicle without appropriate Personal Protective Equipment (PPE) will result in serious injury or death from electric shock. Avoid any contact with 600 V cables and electric components. If possible disable direct hazards (See chapter 3).

## 8. Towing / transportation / storage



Check the condition of the lithium-ion batteries before towing. If the traction batteries are damaged, there can be a risk of thermal or chemical reaction. It is recommended to take guidance from emergency response personnel before towing.



If the lithium-ion batteries are damaged, there can be a risk of thermal or chemical reaction.

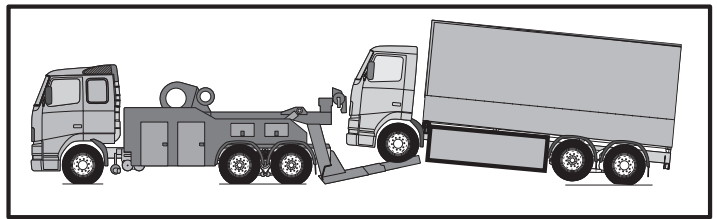
Risk of late fire can happen, after the fire suppression or in case of lithium-ion batteries are damaged.

To ensure safety, it is recommended to:

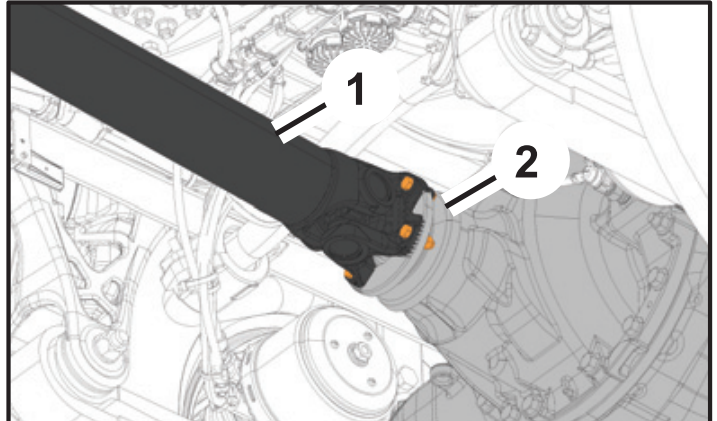
- > Park the electric vehicle in a suitable place maintaining a safe distance from other vehicles, buildings, and combustible objects.
- > Perform the risk analysis based on the local situation. Observe the electric truck for the period of time decided during the risk analysis.



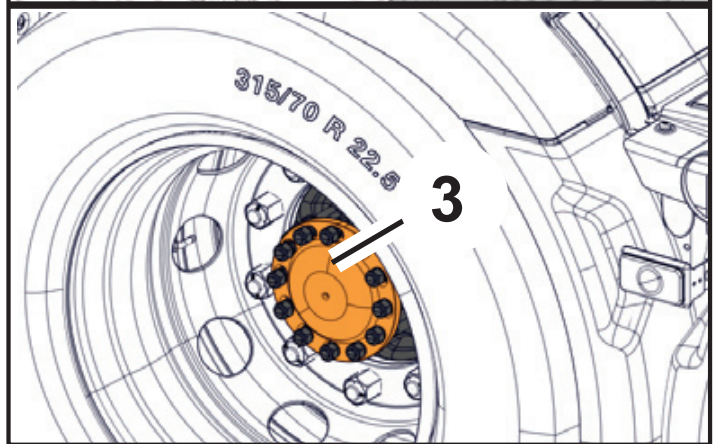
It is mandatory to disconnect the drive to the rear wheels, before towing an electric truck with rear wheels on the ground.



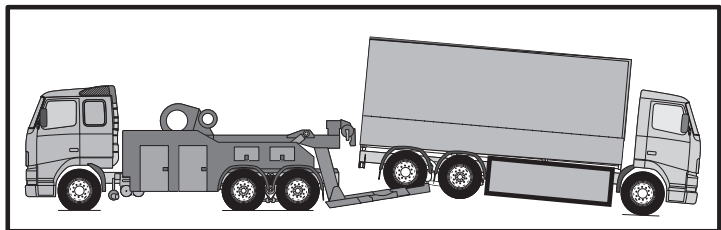
Disconnect the drive to the rear wheels either by uncoupling the propeller shaft (1) from the driven axle (2) or by removing the drive shafts (3).



**Note:** Towing an electric truck with the rear wheels on the ground without disconnecting the drive to the rear wheels may cause damage to the electric motor and the gearbox.



In case of physical damage or a thermal event observed on lithium-ion batteries, it is recommended to tow the electric vehicle with the rear wheels lifted.



## 6. Important additional information



Do not cut any orange cables.

Do not touch any high-voltage cables and electric components.

Do not perform any operation on a damaged electric vehicle without appropriate Personal Protective Equipment (PPE).